

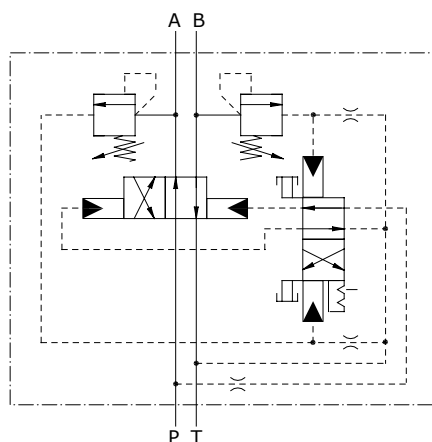
## Type VIA/AP 12/L/CMEB automatic reversing valves

- Mechanical and hydraulic control
- Cast iron body

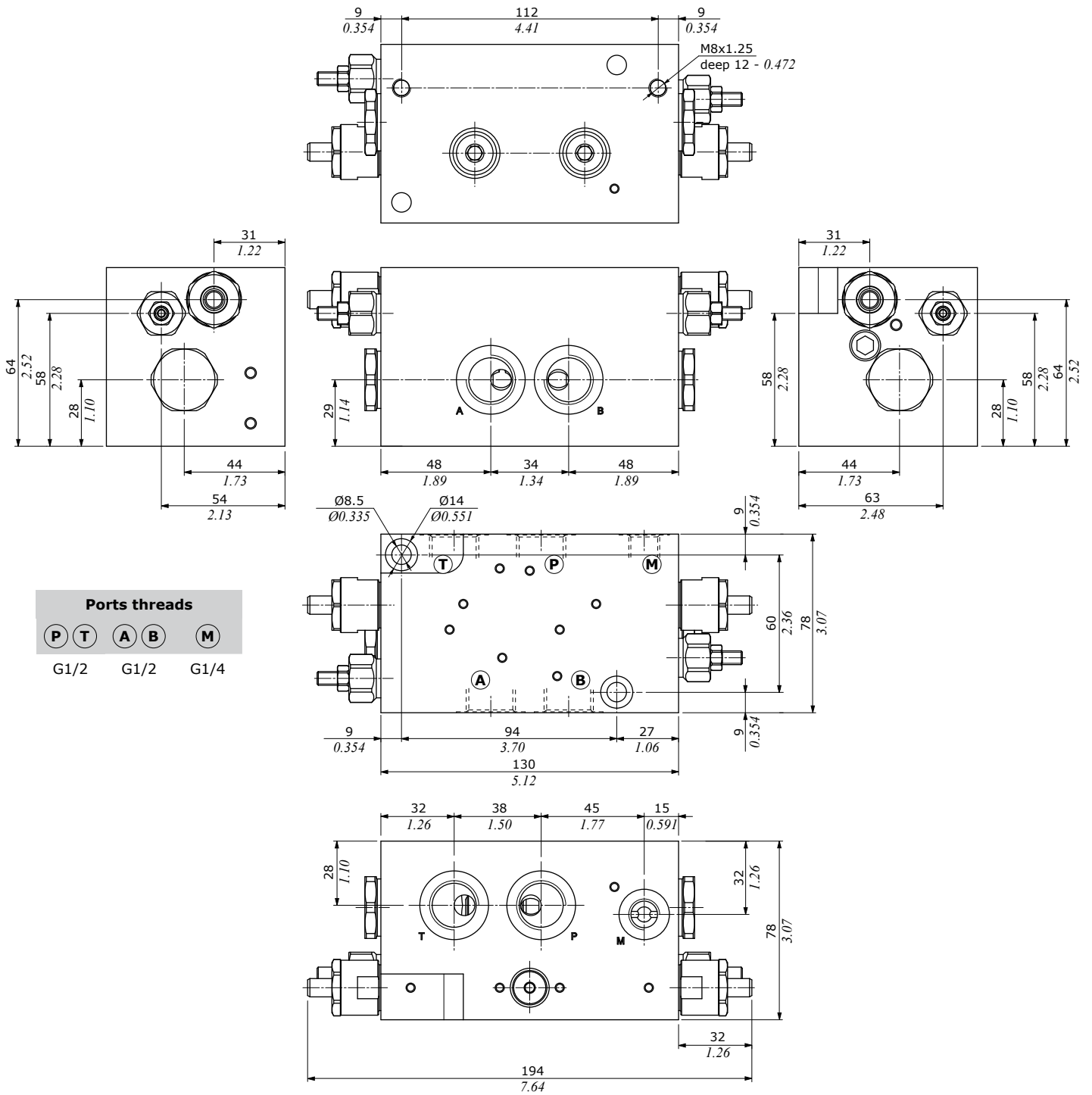
Technical specifications and diagrams are measured with mineral oil of 46 cSt viscosity at 40°C (104°F) temperature.

<b>VIA/AP 12/L/CMEB</b>	
Nominal flow	60 l/min (15.9 US gpm)
Min. flow	4 l/min (1.06 US gpm)
Max. pressure	210 bar (3050 psi)
Max. reversing frequency	30/min
Fluid	mineral based oil
Viscosity	from 10 to 200 cSt
Max. level of contamination	18/16/13 ISO4406
Fluid temperature	with NBR seals from -20°C (-4°F) to 80°C (176°F)
Environmental temp. for working conditions	from -40°C (-40°F) to 100°C (212°F)
Weight	cast iron 5.2 kg (11.46 lb)

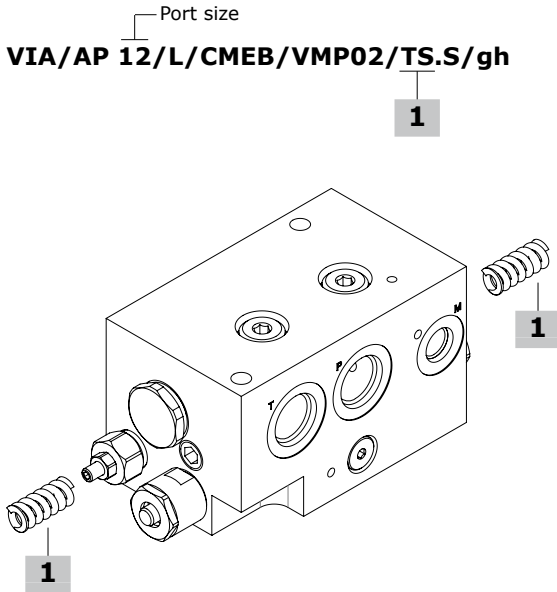
NOTE - For different conditions, please contact Walvoil Sales Dpt.



### Dimensions



**Ordering codes and description composition**



**Complete valves**

TYPE: **VIA/AP 12/L/CMEB/VMP02/TS.S/gh** CODE: 1915033904  
 DESCRIPTION: Cast iron body, G1/2 ports, with direct type pressure relief valves, range 50-220 bar (725-3200 psi), standard setting 150 bar at 3 l/min (2175 psi at 0.79 US gpm)  
 For different port threads configuration, SAE thread and configurations with FPM (Viton) seals, please contact our Sales Dpt.

**1 Pressure setting spring**

TYPE	CODE	DESCRIPTION
<b>TV</b>	3ML1081400	Setting range 5-80 bar (72.5-1160 psi)
<b>TS</b>	3ML1081401	Setting range 50-220 bar (725-3200 psi)

**Rating diagrams**

**Pressure drop vs. flow**

