



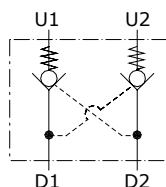
## Type VBPDF pilot operated check valves

- Double acting
- Face mounting

Technical specifications and diagrams are measured with mineral oil of 46 cSt viscosity at 40°C (104°F) temperature.

	<b>VBPDF 14</b>	<b>VBPDF 38</b>	<b>VBPDF 12</b>	<b>VBPDF 34</b>	
Nominal flow	15 l/min (4.0 US gpm)	35 l/min (9.2 US gpm)	50 l/min (13.2 US gpm)	100 l/min (26.4 US gpm)	
Max. pressure	Aluminium body = 210 bar (3050 psi) Steel body = 350 bar (5100 psi)				
Oil leakage	0.25 cm <sup>3</sup> /min (0.015 in <sup>3</sup> /min) at 210 bar (3050 psi)				
Fluid	mineral based oil				
Viscosity	from 10 to 200 cSt				
Max. level of contamination	18/16/13 ISO4406				
Fluid temperature	with NBR seals from -20°C (-4°F) to 80°C (176°F)				
Environmental temp. for working conditions	from -40°C (-40°F) to 100°C (212°F)				
Weight	<i>aluminium</i>	0.47 kg (1.04 lb)	1.17 kg (2.58 lb)	1.15 kg (2.54 lb)	2.52 kg (5.56 lb)
	<i>steel</i>	0.95 kg (2.09 lb)	2.13 kg (4.70 lb)	2.05 kg (4.52 lb)	5.23 kg (11.53 lb)

NOTE - For different conditions, please contact Walvoil Sales Dpt.

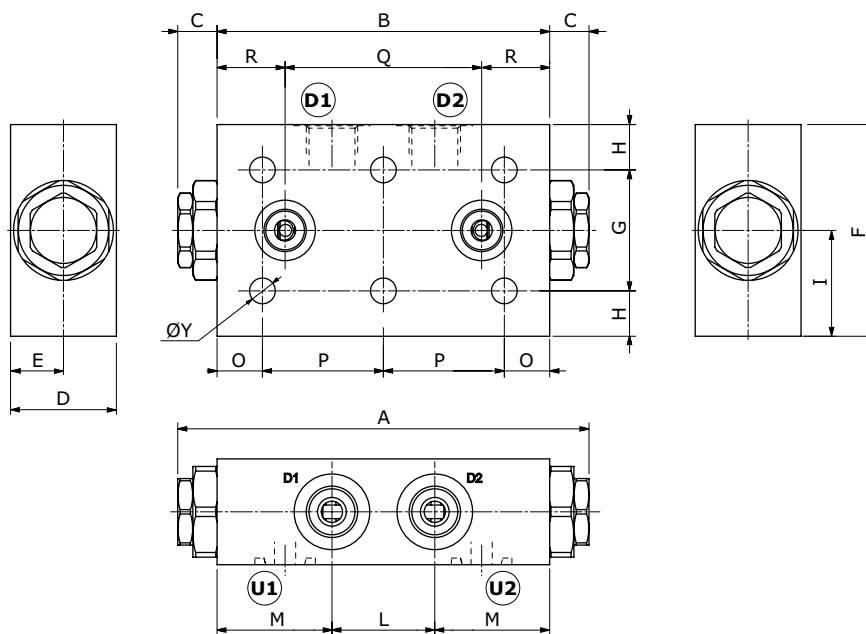


### Dimensions

Valve type	D1 - D2	U1 - U2
<b>VBPDF 14</b>	G1/4	∅ 5 ∅ 0.20
<b>VBPDF 38</b>	G3/8	∅ 7 ∅ 0.27
<b>VBPDF 12</b>	G1/2	∅ 7 ∅ 0.27
<b>VBPDF 34</b>	G3/4	∅ 14 ∅ 0.55

Valve type	D1 - D2	U1 - U2
<b>VBPDF 12/SAE</b>	SAE10	∅ 7 ∅ 0.27

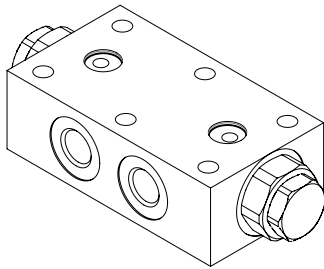


Dimensions are in mm-in

Valve type	A	B	C	D	E	F	G	H	I	L	M	O	P	Q	R	∅Y
<b>VBPDF 14</b>	119 4.69	90 3.54	14.5 0.57	30 1.18	15 0.59	50 1.97	35 1.38	7.5 0.29	17.5 0.69	30 1.18	30 1.18	8.5 0.33	36.5 1.44	55 2.16	17.5 0.69	6.5 0.25
<b>VBPDF 38</b>	136 5.35	110 4.33	13 0.51	35 1.38	17.5 0.69	70 2.75	40 1.57	15 0.59	20 0.79	34 1.34	38 1.50	15 0.59	40 1.57	65 2.56	22.5 0.88	8.5 0.33
<b>VBPDF 12</b> <b>VBPDF 12/SAE</b>	136 5.35	110 4.33	13 0.51	35 1.38	17.5 0.69	70 2.75	40 1.57	15 0.59	20 0.79	34 1.34	38 1.50	15 0.59	40 1.57	65 2.56	22.5 0.88	8.5 0.33
<b>VBPDF 34</b>	198 7.80	165 6.50	16.5 0.71	49 1.93	24.5 0.96	90 3.54	50 1.97	20 0.79	55 2.17	50 1.97	57.5 2.26	15 0.59	67.5 2.65	105 4.13	30 1.18	10.5 0.41

**Ordering codes and description composition**

Port size  
**VBPDF 14/p4**  
Pilot ratio



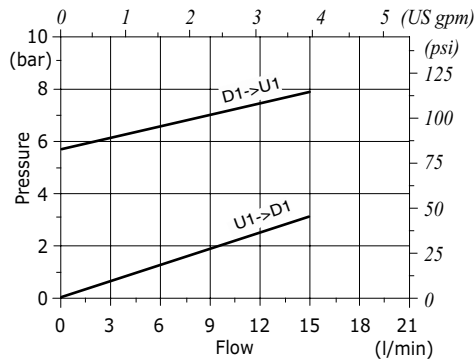
**VBPDF complete valves**

TYPE	CODE	DESCRIPTION
<b>VBPDF 14/p4</b>	1426011100	Aluminium body, pilot ratio 1:4, G1/4 ports
<b>VBPDF 14/p4/ac</b>	1426012100	Steel body, as previous one
<b>VBPDF 38/p4</b>	1426021100	Aluminium body, pilot ratio 1:4, G3/8 ports
<b>VBPDF 38/p4/ac</b>	1426022100	Steel body, as previous one
<b>VBPDF 12/p4</b>	1426031100	Aluminium body, pilot ratio 1:4, G1/2 ports
<b>VBPDF 12/p4/ac</b>	1426032100	Steel body, as previous one
<b>VBPDF 34/p4</b>	1426041100	Aluminium body, pilot ratio 1:4, G3/4 ports
<b>VBPDF 34/p4/ac</b>	1426042100	Steel body, as previous one
<b>VBPDF 12/p4/SAE</b>	1426031200	Aluminium body, pilot ratio 1:4, SAE10 ports
<b>VBPDF 12/p4/ac/SAE</b>	1426032200	Steel body, as previous one

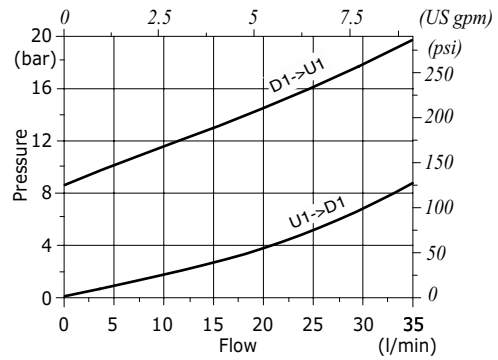
For other steel body configurations, SAE threads and configurations with FPM (Viton) seals, please contact our Sales Dpt.

**Rating diagrams**

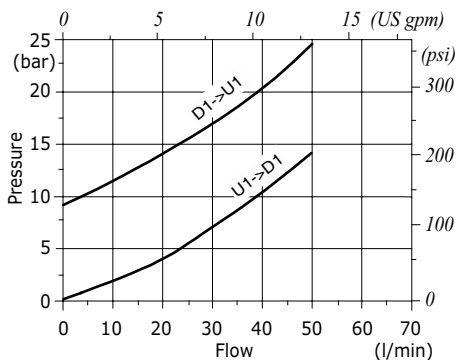
**VBPDF 14 pressure drop vs. flow**



**VBPDF 38 pressure drop vs. flow**



**VBPDF 12 pressure drop vs. flow**



**VBPDF 34 pressure drop vs. flow**

