



DFC100

Mechanical control monoblock diverter valves

- 3 - 6 ways configuration
- Cam control kit
- Especially suitable for use in external environments

This catalogue shows technical specifications and diagrams measured with mineral oil of 46 mm²/s - 46 cSt viscosity at 40°C - 104°F temperature.

WORKING CONDITIONS		
N. of available ways		3 - 6
Max. flow rating		90 l/min (23.7 US gpm)
Max. pressure		315 bar (4600 psi)
Internal leakage A(B)⇒T	Δp = 100 bar (1450 psi)	5 cm ³ /min (0.31 in ³ /min)
Fluid		Mineral based oil
Fluid temperature		from -20°C to 80°C (from -4°F to 176°F)
Viscosity	operating range	from 15 to 75 mm ² /s (from 15 to 75 cSt)
	min.	12 mm ² /s (12 cSt)
	max.	400 mm ² /s (400 cSt)
Max. level of contamination		21/19/16 - ISO 4406 - NAS 1638 - class 10
Ambient temperature for working conditions		from -40°C to 60°C (from -40°F to 140°F)

NOTE - For different working conditions please contact Sales Dept.

Available threads

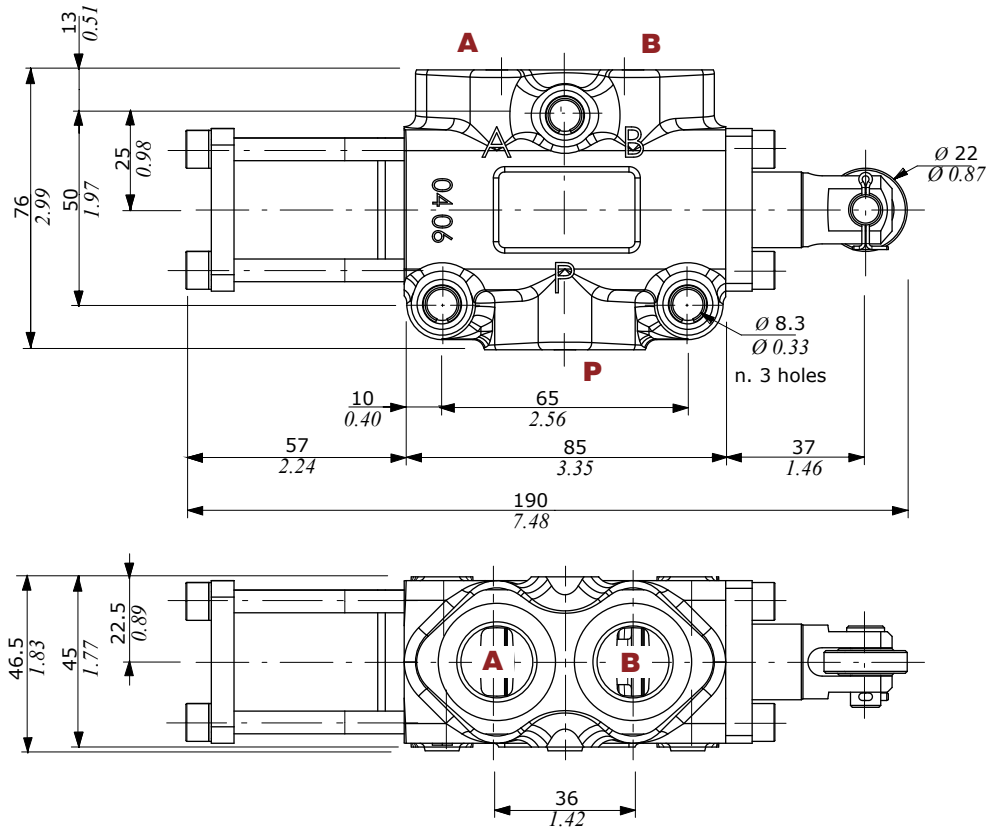
PORTS THREAD			
ALL PORTS	BSP	UN-UNF	METRIC* (ISO 9974-1)
DFC100	G 1/2	7/8-14 (SAE 10)	M22x1.5

(*) Optional threads for availability contact Sales Department

Dimensional data - hydraulic circuit - performance data

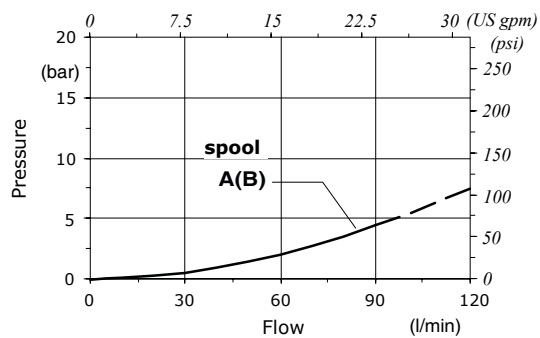
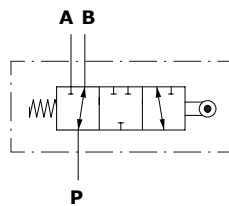
Cam spool control suggested for severe applications; it requires a special body, spool and control kit.

3 way



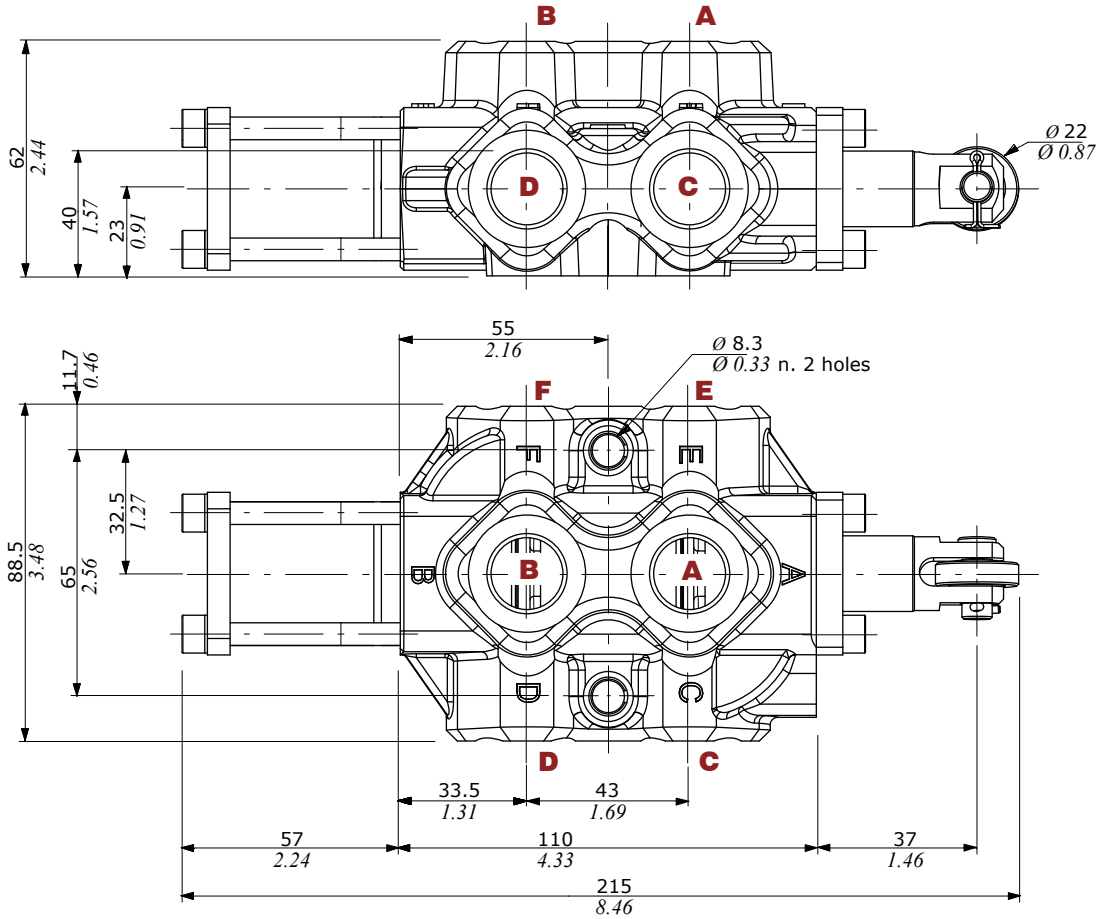
Pressure drop versus flow

P → A(B)



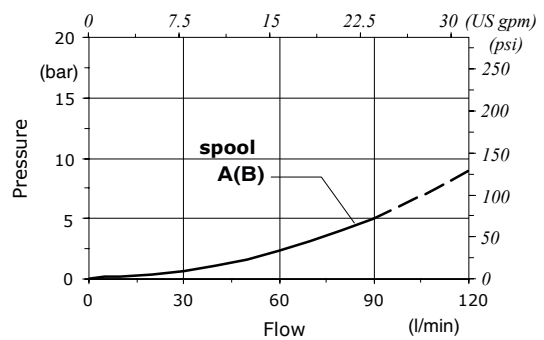
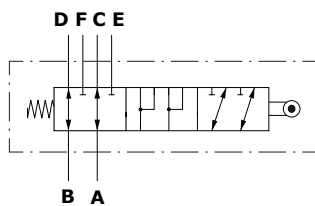
Dimensional data - hydraulic circuit - performance data

6 way



Pressure drop versus flow

A → C(E)



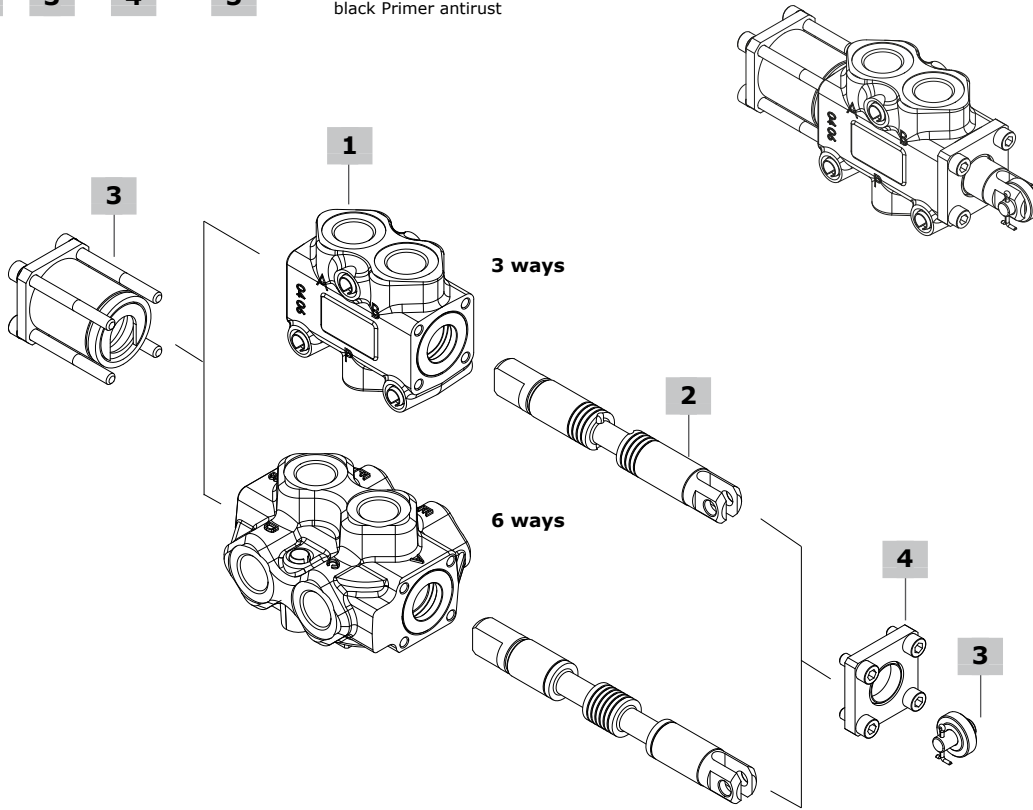
Part ordering codes

Example:

DFC100/3 **B** **17G** **SLP** - ... - **(CVN)**

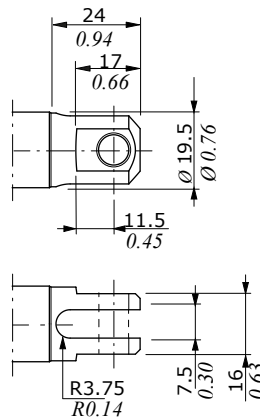
1
 2
 3
 4
 5

Painted with one layer of black Primer antirust



<p>1 Body kit*</p> <table border="0" style="width: 100%;"> <thead> <tr> <th style="text-align: left;">TYPE</th> <th style="text-align: left;">CODE</th> <th style="text-align: left;">DESCRIPTION</th> </tr> </thead> <tbody> <tr> <td>DFC100/3</td> <td>5CO2241313</td> <td>3 ways body kit</td> </tr> <tr> <td>DFC100/6</td> <td>5CO2242311</td> <td>6 ways body kit</td> </tr> </tbody> </table>	TYPE	CODE	DESCRIPTION	DFC100/3	5CO2241313	3 ways body kit	DFC100/6	5CO2242311	6 ways body kit	<p>3 Complete controls page 40</p> <table border="0" style="width: 100%;"> <thead> <tr> <th style="text-align: left;">TYPE</th> <th style="text-align: left;">CODE</th> <th style="text-align: left;">DESCRIPTION</th> </tr> </thead> <tbody> <tr> <td>17G</td> <td>5V17910000</td> <td>Cam control with spring return in pos. 1</td> </tr> <tr> <td>17GCAX</td> <td>5V17910001</td> <td>Inox steel cam control with spring return in pos. 1</td> </tr> </tbody> </table>	TYPE	CODE	DESCRIPTION	17G	5V17910000	Cam control with spring return in pos. 1	17GCAX	5V17910001	Inox steel cam control with spring return in pos. 1									
TYPE	CODE	DESCRIPTION																										
DFC100/3	5CO2241313	3 ways body kit																										
DFC100/6	5CO2242311	6 ways body kit																										
TYPE	CODE	DESCRIPTION																										
17G	5V17910000	Cam control with spring return in pos. 1																										
17GCAX	5V17910001	Inox steel cam control with spring return in pos. 1																										
<p>2 Spools page 39</p> <table border="0" style="width: 100%;"> <thead> <tr> <th style="text-align: left;">TYPE</th> <th style="text-align: left;">CODE</th> <th style="text-align: left;">DESCRIPTION</th> </tr> </thead> <tbody> <tr> <td colspan="3">for DFC100/3:</td> </tr> <tr> <td>A</td> <td>3CAS110312</td> <td>Ports connected in transit position</td> </tr> <tr> <td>B</td> <td>3CAS110421</td> <td>Ports closed in transit position</td> </tr> <tr> <td colspan="3">for DFC100/6:</td> </tr> <tr> <td>A</td> <td>3CAS110711</td> <td>Flow in C and D. E and F closed in pos. 1 Ports connected in transit position</td> </tr> <tr> <td>B</td> <td>3CAS110721</td> <td>Flow in C and D. E and F closed in pos. 1 Ports closed in transit position</td> </tr> </tbody> </table>	TYPE	CODE	DESCRIPTION	for DFC100/3:			A	3CAS110312	Ports connected in transit position	B	3CAS110421	Ports closed in transit position	for DFC100/6:			A	3CAS110711	Flow in C and D. E and F closed in pos. 1 Ports connected in transit position	B	3CAS110721	Flow in C and D. E and F closed in pos. 1 Ports closed in transit position	<p>4 "B" side options page 40</p> <table border="0" style="width: 100%;"> <thead> <tr> <th style="text-align: left;">TYPE</th> <th style="text-align: left;">CODE</th> <th style="text-align: left;">DESCRIPTION</th> </tr> </thead> <tbody> <tr> <td>SLP</td> <td>5COP110005</td> <td>with dust-proof plate</td> </tr> </tbody> </table>	TYPE	CODE	DESCRIPTION	SLP	5COP110005	with dust-proof plate
TYPE	CODE	DESCRIPTION																										
for DFC100/3:																												
A	3CAS110312	Ports connected in transit position																										
B	3CAS110421	Ports closed in transit position																										
for DFC100/6:																												
A	3CAS110711	Flow in C and D. E and F closed in pos. 1 Ports connected in transit position																										
B	3CAS110721	Flow in C and D. E and F closed in pos. 1 Ports closed in transit position																										
TYPE	CODE	DESCRIPTION																										
SLP	5COP110005	with dust-proof plate																										
<p>5 Body threading</p> <p>Specify threading always when it is different from BSP standard</p>																												

(*) - Codes are referred to **BSP** thread

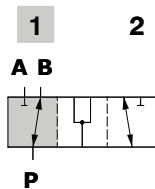


Rotary cam arrangement:
spool type **A, B**

3 ways

Type A

Ports connected
in transit position

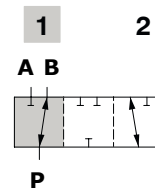


Spool stroke

Position 2: - 14 mm (- 0.55 in)

Type B

Ports closed
in transit position



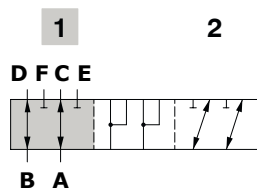
Spool stroke

Position 2: - 14 mm (- 0.55 in)

6 ways

Type A

Flow in C and D. E and F closed in pos. 1
Ports connected in transit position

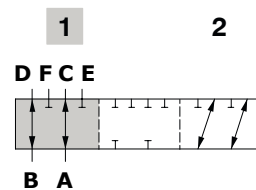


Spool stroke

Position 2: - 14 mm (- 0.55 in)

Type B

Flow in C and D. E and F closed in pos. 1
Ports closed in transit position



Spool stroke

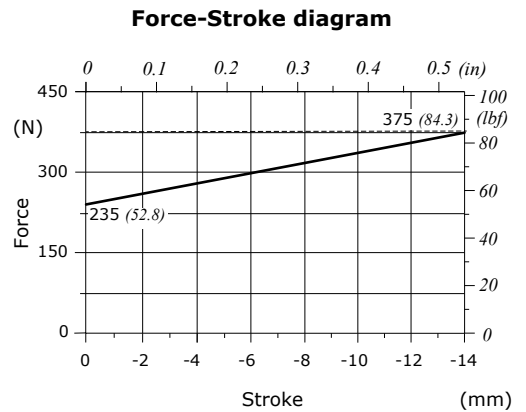
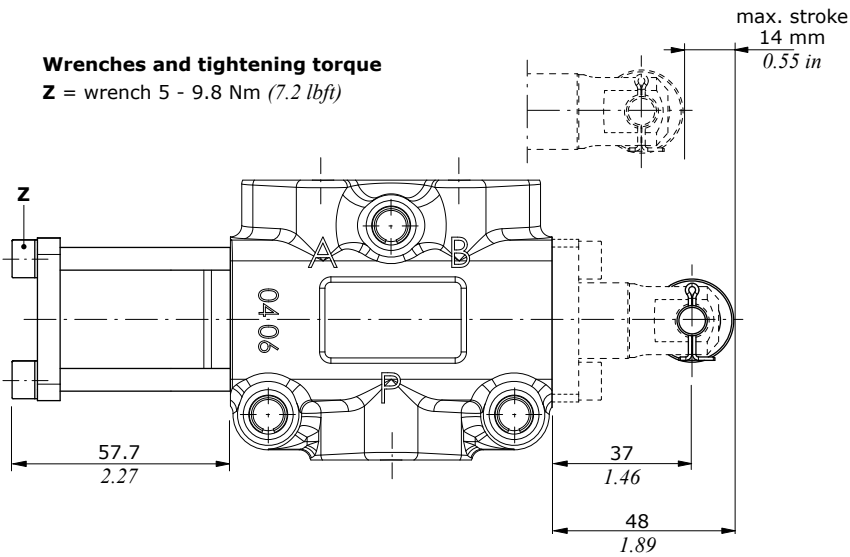
Position 2: - 14 mm (- 0.55 in)

Complete controls

Cam control kit

17G type cam control available with stainless steel bearing (type 17GCAX).
It must be coupled with type SLP flange on valve B side

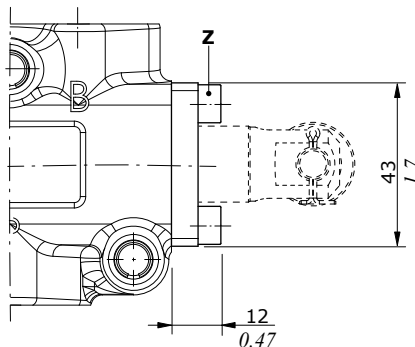
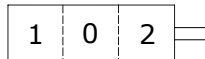
Type 17G - 17GCAX
Spring return in pos.1



"B" side options

Without lever, with flange

Type SLP



Wrenches and tightening torque
Z = wrench 5 - 9.8 Nm (7.2 lbft)